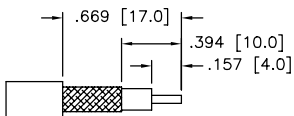
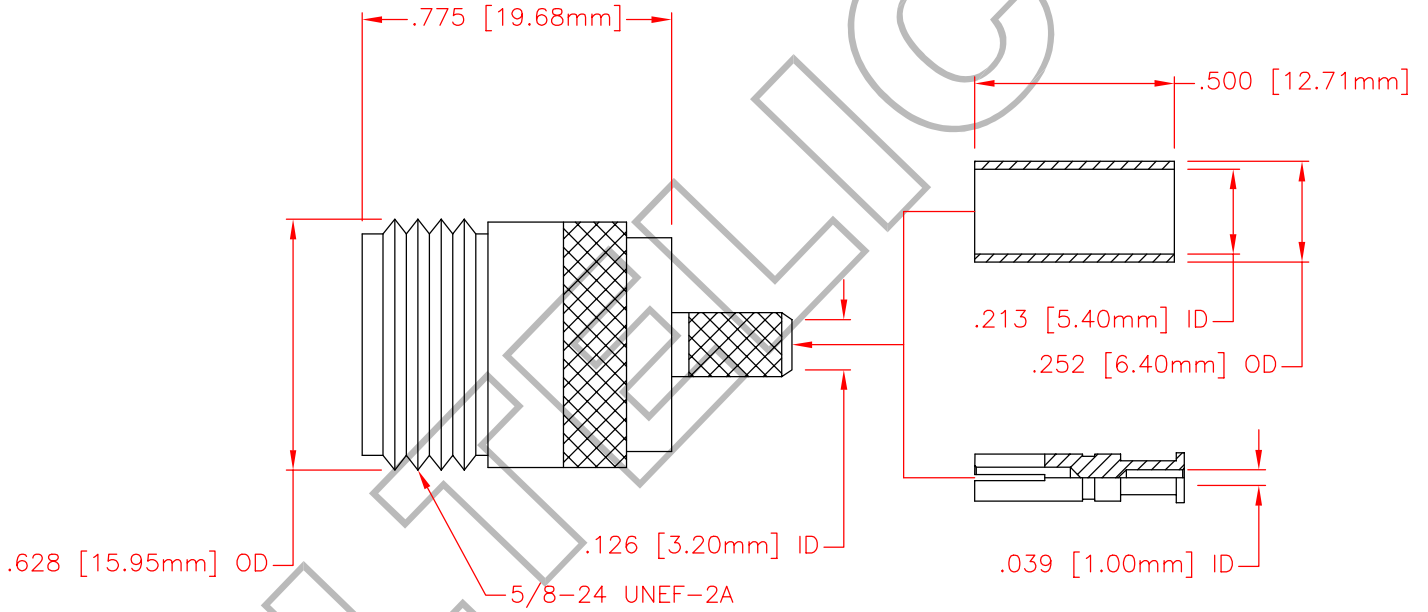


MATERIALS	
BODY	NICKEL PLATED BRASS
CONTACT	GOLD PLATED BRASS
INSULATOR	PTFE



STRIPPING DIMENSIONS

CRIMP SIZES REQUIRED  
 CONTACT: .068 [1.7]  
 HEX CRIMP TOOL  
 FERRULE: .213 [5.4]  
 HEX CRIMP TOOL

- NOTES:  
 1. UNLESS OTHERWISE SPECIFIED ALL DIMENSIONS ARE NOMINAL.  
 2. ALL SPECIFICATIONS ARE SUBJECT TO CHANGE WITHOUT NOTICE AT ANY TIME.

SIZE	TITLE:
A	Crimp: N-Female for Cable Group 7

REV	ECN No.	DATE	DESCRIPTION	DRAWN BY	A. VAJANYI 06/24/03	DRAWING No.	REV
-	-	-	-	ORIGINATOR	A. VAJANYI 06/24/03	ANF-1700	A
<b>ALTELICON</b> YOUR CONNECTOR CONNECTION <small>ALTELICON Website: www.altelicon.com E-Mail: sales@altelicon.com Copyright © ALTELICON. All rights reserved.</small>				APPROVAL	P. Pesa 06/24/03	PART No.	ANF-1700
				SCALE 3:1	SHEET 1/1	MATERIAL	Noted