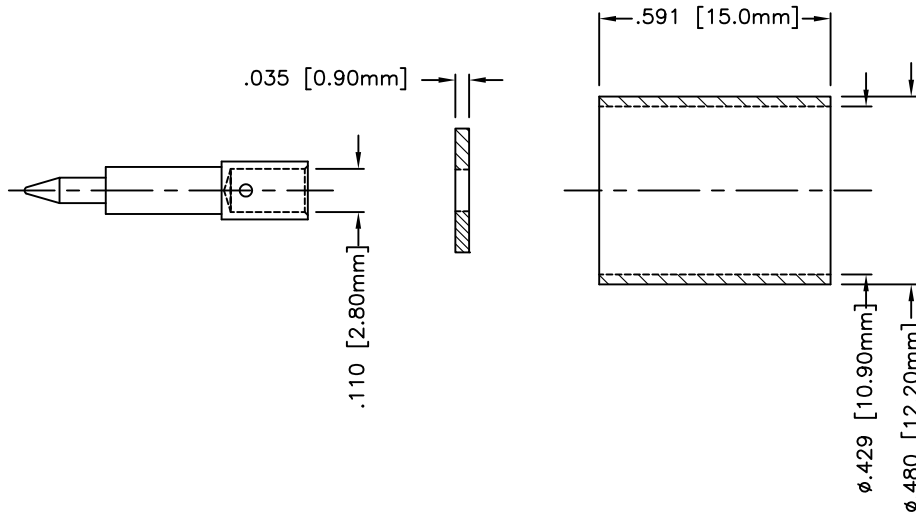
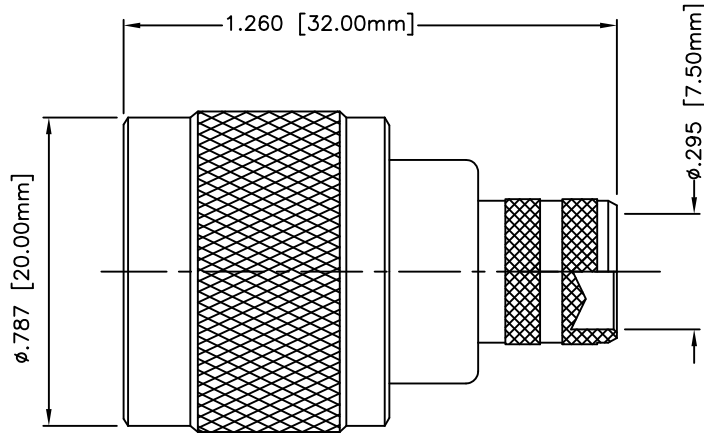
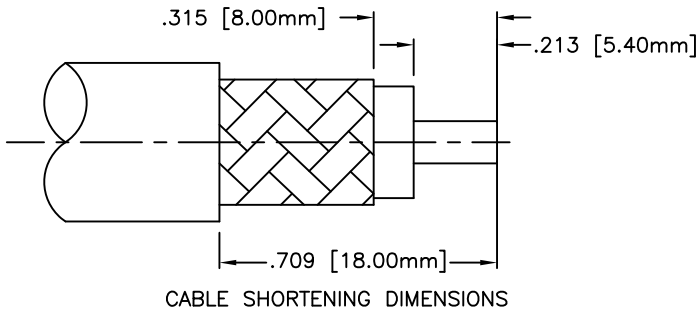


DESCRIPTION	MATERIAL	FINISH
BODY	BRASS	NICKEL
CENTER CONTACT	BRASS	GOLD
OUTER CONTACT	BRASS	NICKEL
CRIMP FERRULE	COPPER	NICKEL
GASKET	MVQ	---
INSULATOR	PTFE	---
RETAINING RING	PHOSPHOR BRONZE	---



CRIMP SIZES REQUIRED
 FERRULE: .429 [10.90mm]
 HEX CRIMP TOOL



NOTE:
 1. UNLESS OTHERWISE SPECIFIED, ALL DIMENSIONS ARE NOMINAL
 2. ALL SPECIFICATIONS ARE SUBJECT TO CHANGE WITHOUT NOTICE AT ANY TIME.

				SIZE	TITLE:			
				A	N STRAIGHT MALE CRIMP FOR RG8/LMR400			
REV	ECN No.	DATE	DESCRIPTION	DRAWN BY	B.Puchaski	12/01/2008	DRAWING No.	REV
				ORIGINATOR	B.Puchaski	12/01/2008	F1007	A
				APPROVAL	M.Audas	12/01/2008	PART No.	ANM-1406
				SCALE 2:1	SHEET 1/1	MATERIAL Noted	FILE No.	F1007-01



Website: www.L-com.com
 Tel: 1-800-343-1455
 Copyright © 2009 L-com, Inc.
 All rights reserved.