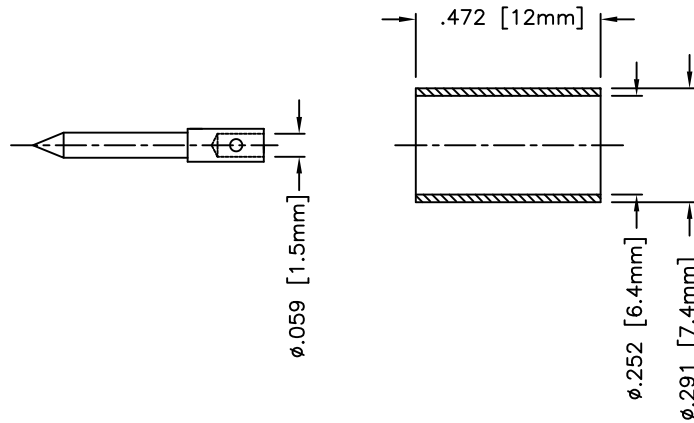
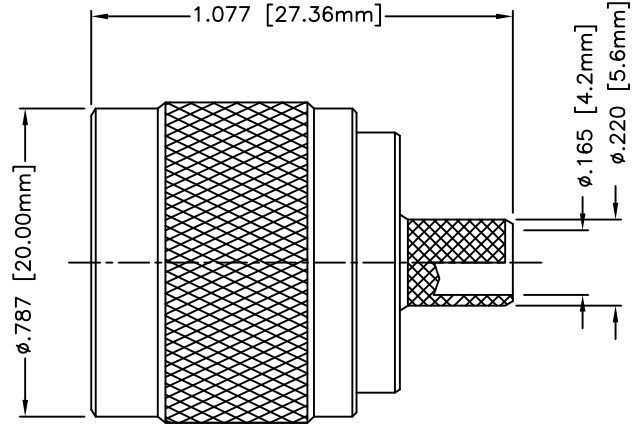
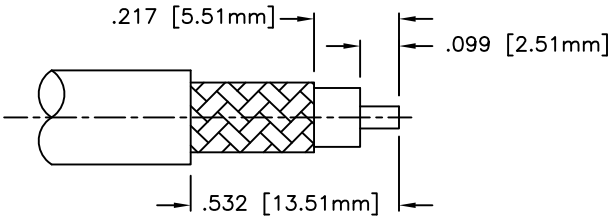


| DESCRIPTION    | MATERIAL        | FINISH |
|----------------|-----------------|--------|
| BODY           | BRASS           | NICKEL |
| CENTER CONTACT | BRASS           | GOLD   |
| OUTER CONTACT  | BRASS           | NICKEL |
| CRIMP FERRULE  | COPPER          | NICKEL |
| GASKET         | MVQ             | ---    |
| INSULATOR      | PTFE            | ---    |
| RETAINING RING | PHOSPHOR BRONZE | ---    |



**CRIMP SIZES REQUIRED**  
 FERRULE: .256 [6.50mm]  
 PIN: .068 [1.73mm]  
 HEX CRIMP TOOL



**NOTE:**  
 1. UNLESS OTHERWISE SPECIFIED, ALL DIMENSIONS ARE NOMINAL  
 2. ALL SPECIFICATIONS ARE SUBJECT TO CHANGE WITHOUT NOTICE AT ANY TIME.

CABLE SHORTENING DIMENSIONS

|     |         |      |             |            |                                  |                |             |          |
|-----|---------|------|-------------|------------|----------------------------------|----------------|-------------|----------|
|     |         |      |             | SIZE       | TITLE:                           |                |             |          |
|     |         |      |             | A          | N STRAIGHT MALE CRIMP FOR LMR240 |                |             |          |
| REV | ECN No. | DATE | DESCRIPTION | DRAWN BY   | B.Puchaski                       | 04/10/2009     | DRAWING No. | REV      |
|     |         |      |             | ORIGINATOR | B.Puchaski                       | 11/30/2008     | F1008       | B        |
|     |         |      |             | APPROVAL   | M.Audas                          | 04/10/2009     | PART No.    | ANM-1508 |
|     |         |      |             | SCALE 2:1  | SHEET 1/1                        | MATERIAL Noted | FILE No.    | F1008-01 |



Website: www.L-com.com  
 Tel: 1-800-343-1455  
 Copyright © 2009 L-com, Inc.  
 All rights reserved.