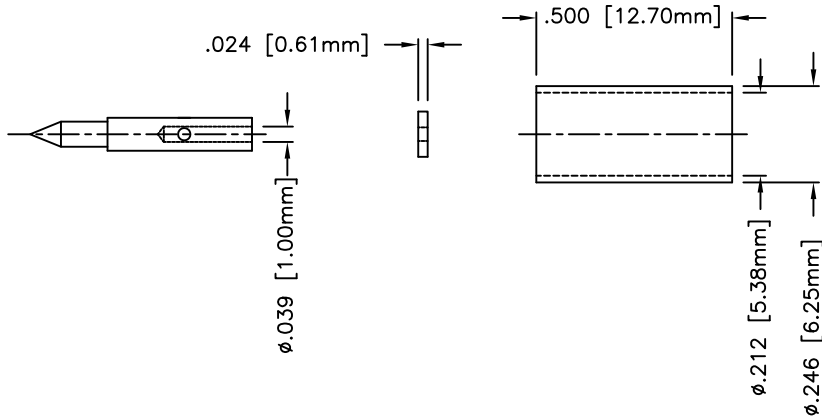
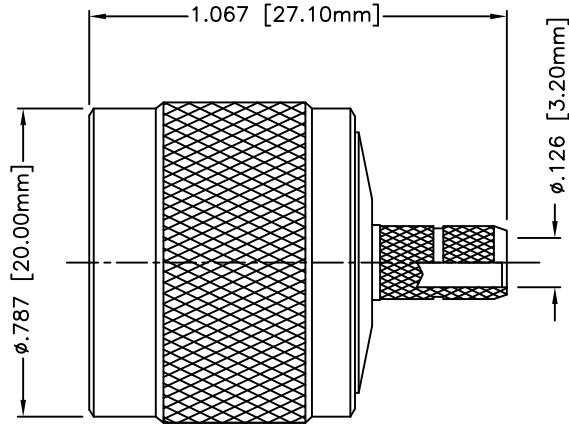
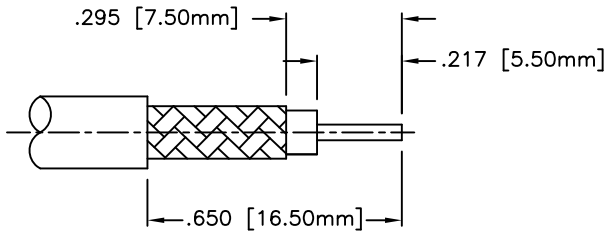


DESCRIPTION	MATERIAL	FINISH
BODY	BRASS	NICKEL
CENTER CONTACT	BRASS	GOLD
OUTER CONTACT	BRASS	NICKEL
CRIMP FERRULE	COPPER	NICKEL
GASKET	MVQ	---
INSULATOR	PTFE	---
RETAINING RING	PHOSPHOR BRONZE	---



CRIMP SIZES REQUIRED  
 FERRULE: .217 [5.50mm]  
 HEX CRIMP TOOL



CABLE SHORTENING DIMENSIONS

NOTE:  
 1. UNLESS OTHERWISE SPECIFIED, ALL DIMENSIONS ARE NOMINAL  
 2. ALL SPECIFICATIONS ARE SUBJECT TO CHANGE WITHOUT NOTICE AT ANY TIME.

				SIZE	TITLE:					
				A	N STRAIGHT MALE CRIMP FOR RG58/LMR195					
REV	ECN No.	DATE	DESCRIPTION	DRAWN BY	B.Puchaski	11/30/2008	DRAWING No.	F1009	REV	A
				ORIGINATOR	B.Puchaski	11/30/2008	PART No.	ANM-1700		
				APPROVAL	M.Audas	11/30/2008	FILE No.	F1009-01		
				SCALE	2:1	SHEET 1/1	MATERIAL	Noted		



Website: www.L-com.com  
 Tel: 1-800-343-1455  
 Copyright © 2009 L-com, Inc.  
 All rights reserved.